

**RYS**

Floodlighting



Architectural Floodlight available with multiple beam options. Also available in mast version (see separate leaflet).

**Construction:** Die Cast Aluminium housing. IP66. IK08.

**Lens:** Clear tempered glass as standard.

**Finish:** Grey RAL 9006 as standard. Other RAL colours on request.

**LED:** Available in 14w-56w LED. 4K as standard, 3K on request.

**Driver:** Internal LED driver.

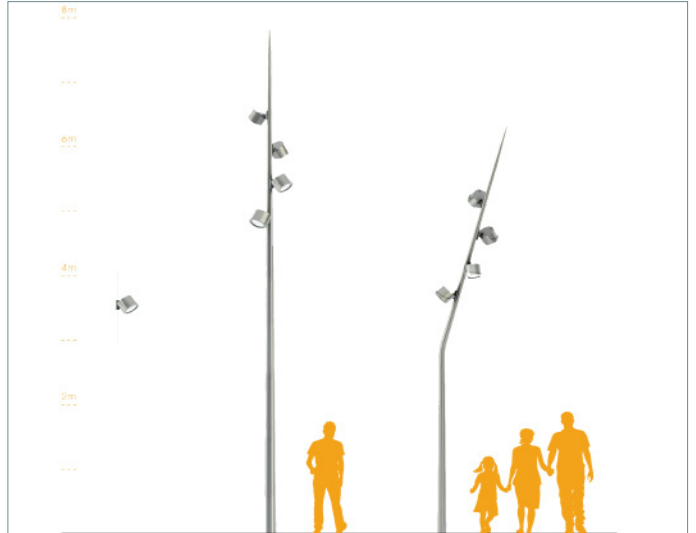
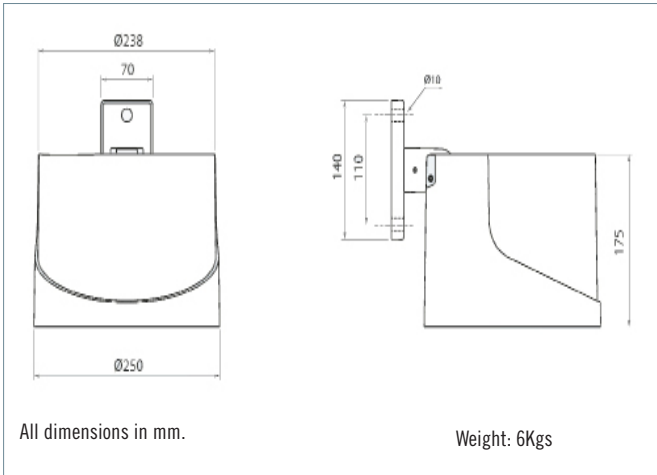
**Options:** Surge Protector.

**Manufactured:** EU.

**Product Compliance:** EN 60598; CE.



## DIMENSIONS



## ORDERING CODE

Wattage	Type	Code	Description	Lumens
14w	1LED	5RYS14GLC	RYS Floodlight with 350mA driver, 4k	1425 lm
20w	1LED	5RYS20GLB	RYS Floodlight with 500mA driver, 4k	1950 lm
28w	1LED	5RYS28GLA	RYS Floodlight with 700mA driver, 4k	2595 lm
26w	2LED	5RYS26GLC	RYS Floodlight with 350mA driver, 4k	2850 lm
38w	2LED	5RYS38GLB	RYS Floodlight with 500mA driver, 4k	3900 lm
54w	2LED	5RYS54GLA	RYS Floodlight with 700mA driver, 4k	5190 lm
39w	3LED	5RYS39GLC	RYS Floodlight with 350mA driver, 4k	4275 lm
56w	3LED	5RYS56GLB	RYS Floodlight with 500mA driver, 4k	5850 lm

## OPTIONS

3K: 3000K, Colour Temperature
2.7K: 2700K, Colour Temperature
2.2K: 2200K, Colour Temperature
RAL: Please Specify